

BITalino Mini Shielded Datasheet

BMS20201124

SPECIFICATIONS

- > **Sampling Rate:** 1, 10, 100 or 1000Hz
- > **Analog Ports:** 4 in (10-bit) + 2 in (6-bit) + 1 auxiliary in (battery) + 1 out (8-bit)
- > **Digital Ports:** 2 in (1-bit) + 2 out (1-bit)
- > **UC-E6 Ports:** A1, A2, A3, A4, A5, A6, I/O1
- > **Communication:** BLE, SPI, UART
- > **Connectors:** 7 UC-E6 type ports; Molex connectors footprint
- > **Microcontroller:** ATmega328PB (QFN)
- > **Range:** up to ~300m (in line of sight)
- > **Consumption:** ~34 mA
- > **Size:** 56x21x14mm

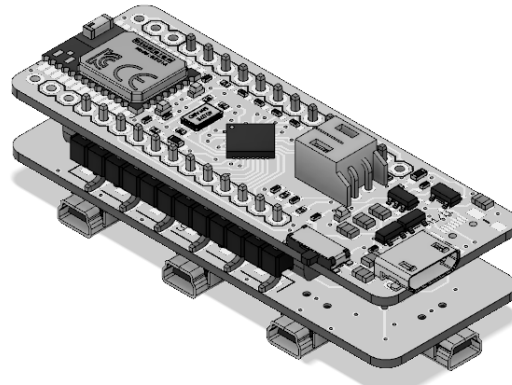


Fig. 1. BITalino Mini Shielded

FEATURES

- > Faster prototyping
- > Small form-factor
- > Easy-to-use
- > Affordable

APPLICATIONS

- > Biomedical projects
- > Electrical engineering
- > Human-Computer Interaction
- > Robotics & Cybernetics
- > Physiology studies
- > Biofeedback

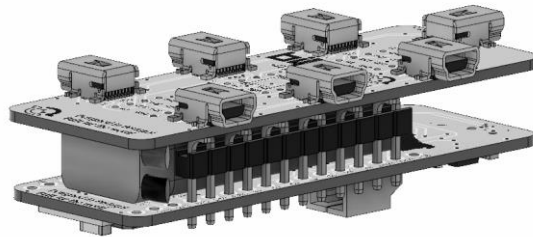


Fig. 2. BITalino Mini Shielded

GENERAL DESCRIPTION

The BITalino Mini Shielded will allow you to take the most out of the device with all of its ports available out of the box and accessible via UC-E6 ports on the BITalino Mini Shield.

bitalino

PLUX – Wireless Biosignals, S.A.
Av. 5 de Outubro, n. 70 – 2.
1050-059 Lisbon, Portugal
bitalino@plux.info
<http://bitalino.com/>

REV A

© 2016 PLUX 

This information is provided "as is," and we make no express or implied warranties whatsoever with respect to functionality, operability, use, fitness for a particular purpose, or infringement of rights. We expressly disclaim any liability whatsoever for any direct, indirect, consequential, incidental or special damages, including, without limitation, lost revenues, lost profits, losses resulting from business interruption or loss of data, regardless of the form of action or legal theory under which the liability may be asserted, even if advised of the possibility of such damages.

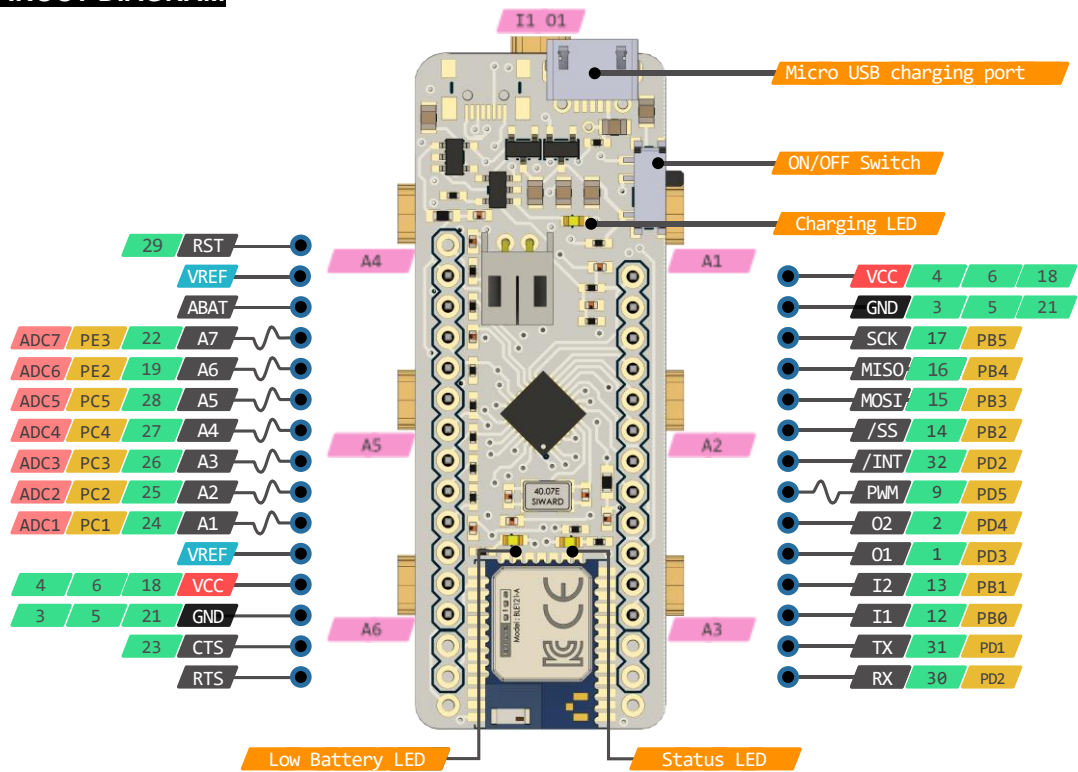


BEWARE: DIRECT OR INDIRECT COUPLING TO THE MAINS MAY RESULT IN SHOCKING HAZARD



BITalino Mini Shielded Datasheet

PINOUT DIAGRAM



- VCC** 3,3V Power source
- VREF** 1,65V Reference point
- GND** Ground
- PCB label**
- Physical Pin**
- Selected function**
- Microcontroller's Port Pin**
- UC-E6 Port**
- Analog port**

Fig. 3. BITalino Mini Shielded PINOUT

DIMMENSIONS

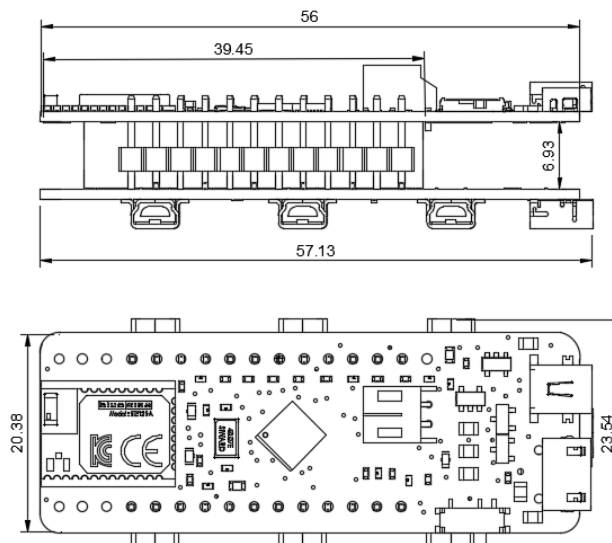


Fig. 4. BITalino Mini Shielded Dimensions (mm)

BITalino Mini Shielded Datasheet

PACKAGING



Fig. 5. BITalino mini shielded is shipped in a convenient eco-friendly packaging

ORDERING GUIDE

Part #	Description
KIT-MINI-SHIELDED-DUAL-UC-E6	BITalino mini Shielded Kit is assembled with Bluetooth Dual mode connectivity (BLE/BT) and included one BITalino mini Solo board and one BITalino mini Shield allowing the analog ports to be accessed through UC-E6 connectors.